

2024

New Solar Garden Lights





Our Factory

- 19, 000 square meters new factory
- 200 square meters testing laboratory

Our Capacity

- More than 200 workers
- Daily capacity : Max.20,000 pieces
- 15 standard production lines
- 18 years experience in R&D,production and marketing

Our Team

- 20 QC workers
- 8 professional R&D technicians
- 8 professional salesmen 7*24 service

Our Service

- Fast shipping : Min. 7 days
- Fast sampling : 3-15days from idea to sample
- Appearance,construction,PCBA desidin, Artwork design , labeling service, advertising pictures, etc



Laboratory



Full automated injection molding workshop



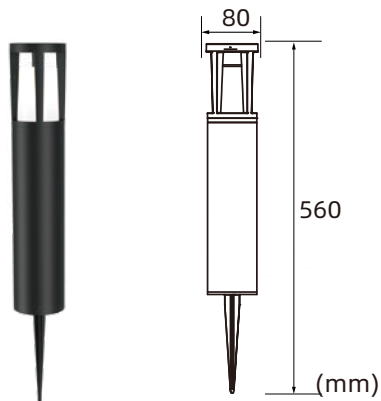
Cooperative Partner



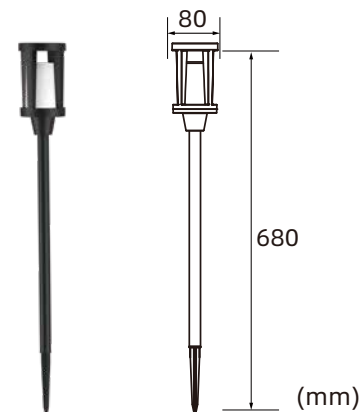
Solar Flame Light



XLTD-2323



XLTD-2320



Solar panels

Polycrystal

Battery

2/3 AA 400mAh battery

Light source

12*warm white SMD

Durable time

Full battery up to 8-10 hours

Material

Plastic+S.S





Metal hanging rod

XLTD-2318

Solar panels

Polycrystal

Battery

1*1.2v/AA Ni-MH 1000mAh battery

Light source

72*warm white SMD

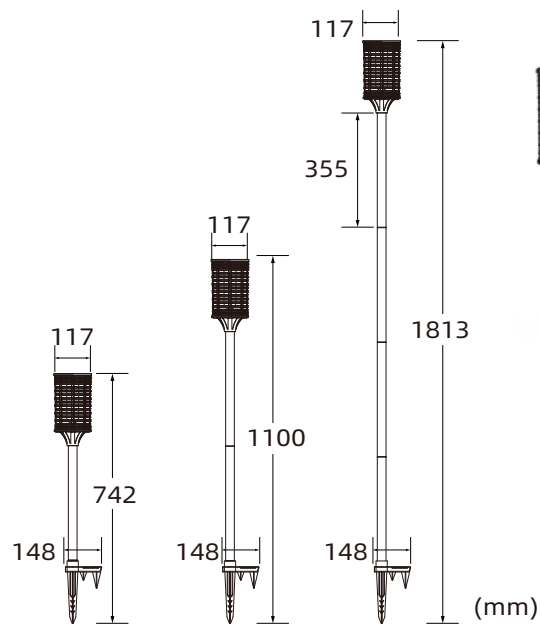
Durable time

Full battery up to 8-10 hours

Material

Plastic

Individual Packing	Qty/Ctn(pcs)	CTN Measurement(cm)	
4pcs/box	24	49*38*55	
CTN CBM	Qty/20'GP	Qty/40'GP	Qty/40'HQ
0.1	6720	13920	16320



Solar Path Light



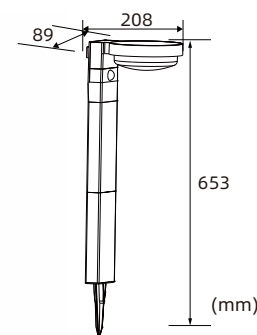
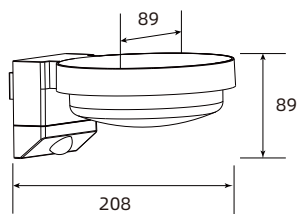
XLTD-6106

Solar panels
Monocrystal 5.5V/280MA

Battery
1*3.7V/18650 /1200mAh

Light source
30*Cool/Warm white SMD

Durable time
Full battery up to 8-10 hours



XLTD-6106-2

Solar panels
Monocrystal 5.5V/280MA

Battery
1*3.7V/18650 /1200mAh

Light source
30*Cool/Warm white SMD

Durable time
Full battery up to 8-10 hours

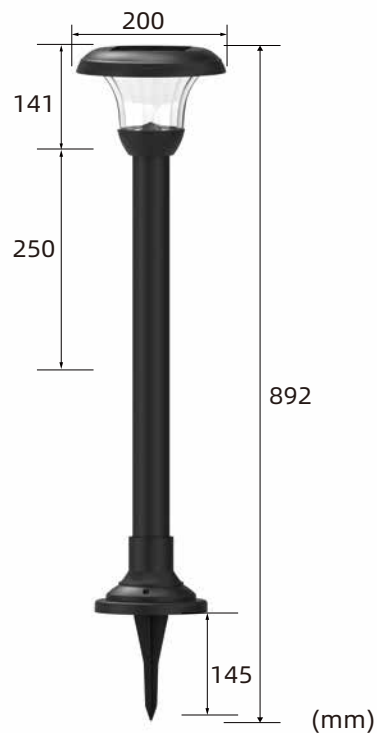
Material
Plastic



Solar Path Light



XLTD-2313



XLTD-2313-2



XLTD-2313-3



Solar panels

Monocrystal

Battery

1*3.7V/18650 /1200mAh

Light source

1*Cool/Warm white SMD

Durable time

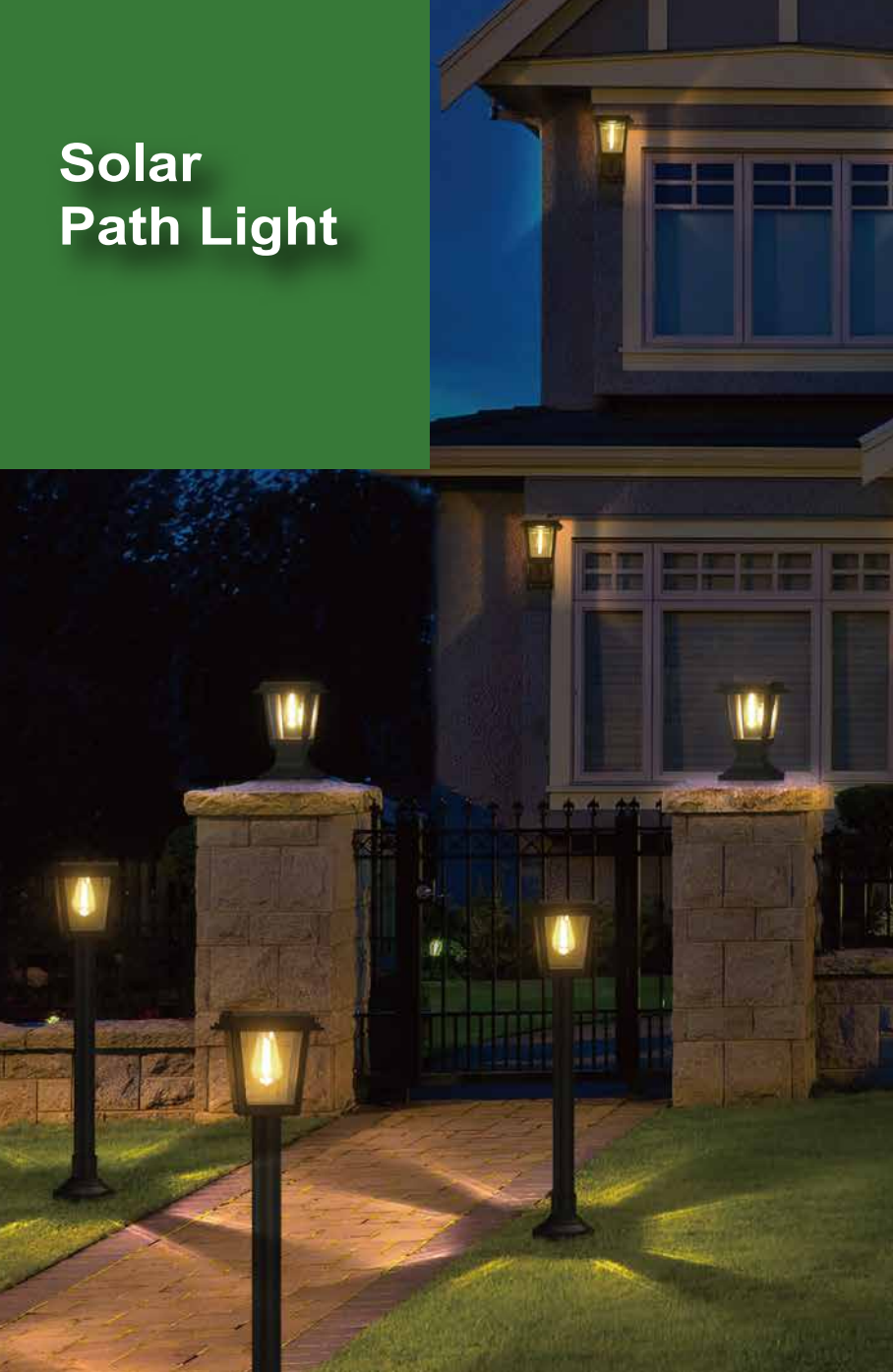
Full battery up to 8-10 hours

Material

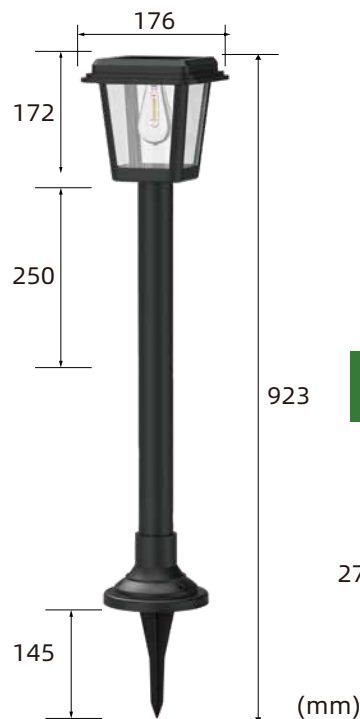
Plastic

Individual Packing	Qty/Ctn(pcs)	CTN Measurement(cm)	CTN CBM	Qty/20'GP	Qty/40'GP	Qty/40'HQ
1pc/box	4	53*43*50	0.11	1016	2108	2472

Solar Path Light



XLTD-2314



XLTD-2314-2



XLTD-2314-3



Solar panels

Monocrystal

Battery

1*3.7V/18650 /1200mAh

Light source

1*Cool/Warm white

Durable time

Full battery up to 8-10 hours

Material

Plastic

Individual Packing	Qty/Ctn(pcs)	CTN Measurement(cm)	CTN CBM	Qty/20'GP	Qty/40'GP	Qty/40'HQ
1pcs/box	4	56*54*43	0.13	860	1784	2092

Solar Wall Lights



Monocrystal
5.5V/180-200MA

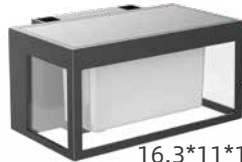


15*14.5*17.4cm

XLTD-6104

1*Cool/
Warm white SMD

Monocrystal
5.5V/180-200MA

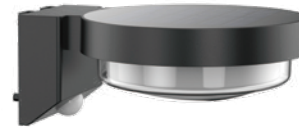


16.3*11*10cm

XLTD-6105

44*Cool/
Warm white SMD

Monocrystal
5.5V/280MA



20.8*8.9*8.9cm

XLTD-6106

30*Cool/
Warm white SMD

Monocrystal
5.5V/160-180MA



15.6*13*7.4cm

XLTD-6108

18*Cool/
Warm white SMD

Solar panels

Monocrystal

Battery

1*3.7V/18650 /1200mAh

Durable time

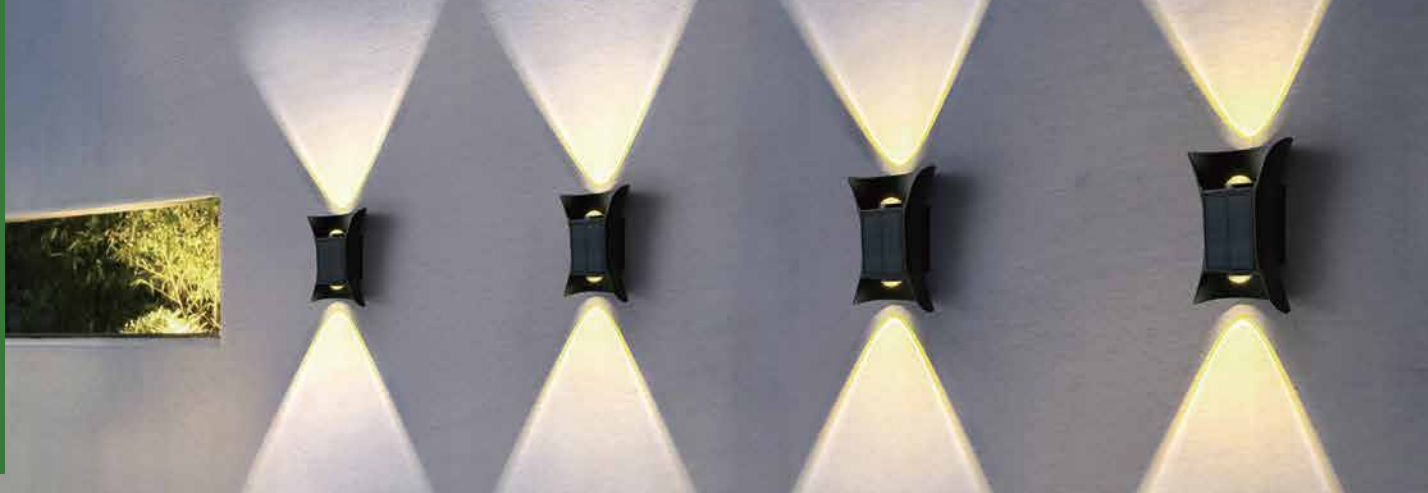
Full battery up to 8-10 hours

Material

Plastic



Solar Wall Light



15*7*6cm

Polysilicon
5V 80mA

XLTD-P1601

Warm/White 4*SMD



13.5*8.7*6cm

Polysilicon
5V 80mA

XLTD-P1602

Warm/White 2*SMD

Solar panels

Polysilicon

Battery

P1601: 3.7V 14500 500mAh

P1602: Lithium battery AA400mAh

Material

Plastic



Solar Wall Light



17.2*10.5*7cm

Polysilicon

XLTD-2401

Battery
3.7V AA1500mAh

Warm 8*LED



80*4.5*4cm

Amorphous
2V 80mA

XLTD-5052

Battery
1.2V 300mAh

Warm/White/Colorful*LED



9.1*7.1*3.5cm

Polysilicon
5V 80mA

XLTD-P1603

Battery
Lithium battery AA400mAh

Warm/White 2*SMD





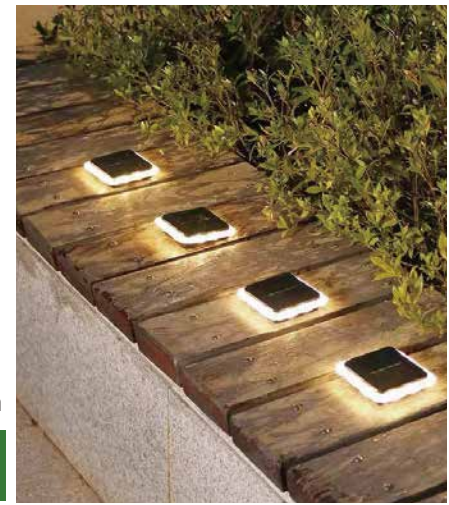
7.5*9cm

XLTD-P213



10*10*13.5cm

XLTD-P1912



7.8*10.5cm

XLTD-P214



10*10*13.5cm

XLTD-P1913



16*23cm

XLTD-P215



15.5*15.5*13.5cm

XLTD-P1914





2024

Selection of Solar Garden Lights

Company introduction
公司介绍



Ningbo Landsign Electric Appliance Co, Ltd. is a manufacture specialized in solar lights, engaged in Design, Study, Manufacture and Marketing service. It is located in Cixi, Ningbo, one of the largest production bases of solar light in China, where with the convenient transport. It is close to The Hangzhou Bay Bridge, only 50 kilometers from Ningbo and 150 kilometers from Shanghai.

Our company have passed the ISO9001: 2013 Quality Management System , BSCI Walmart audit and CVS audit.

Solar light have been exported to Spain, Germany, Russia,Netherlands, Poland, France, The United Kingdom,USA, Korea, Japan etc. It enhance the quality and functions with the superior technology, advanced equipments and excellent craftsmanship.

Quality is our spirit, profession is our glory, we sincerely welcome all kinds of cooperation including OEM orders to create a bright future together. And we would try our best to give all the customers the best products.

We are Landsign.

We stand for trust, dependability and respect. These are the basic principles we abide by. We strive for continuous growth and profitability.





Solar path lights

page 5-44



Solar wall lights

page 45-50



Solar stick lights

page 51-55



Solar post lights

page 56-58



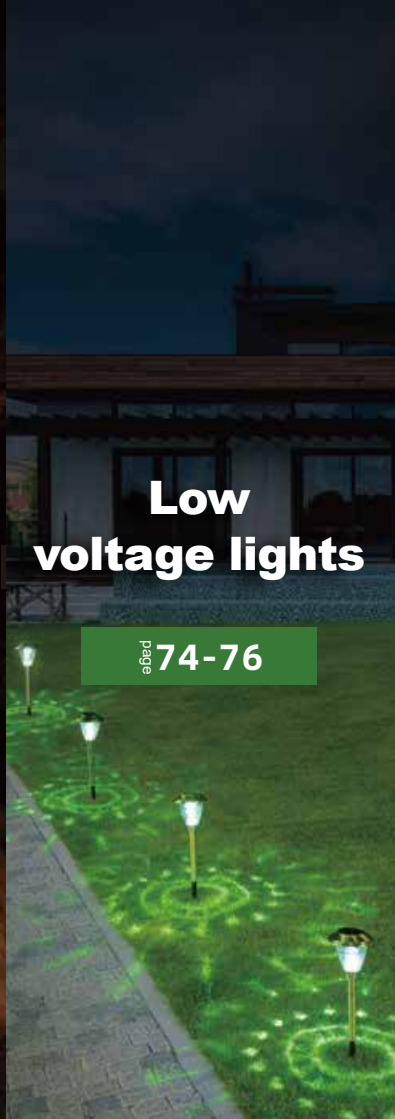
Solar string lights

page 59-72



Other solar lights

page 72-76



Low voltage lights

page 74-76



Deck lights

page 77-87

Solar path light



Lumens



Waterproof



Full battery
up to 8-10 hours



1*Cool/
Warm White SMD



Model

XLTD-1808

Solar panels

Polycrystal

Battery

1*1.2V AA Ni-MH 600mAh battery

Material

Glass+Stainless steel+Plastic



Individual Packing	Qty/Ctn(pcs)	CTN Measurement(cm)	CTN CBM	Qty/20'GP	Qty/40'GP	Qty/40'HQ
4pcs/box	32	43.5*48.5*34	0.07	12800	26500	31000



Solar path light



Lumens



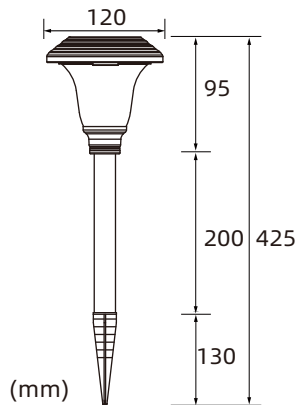
Waterproof



Full battery
up to 8-10 hours



1*RGB



Model

XLTD-1808(RGB)

Solar panels

Polycrystal

Battery

1*1.2V AA Ni-MH 600mAh battery

Material

Glass+Stainless steel+Plastic

Individual Packing	Qty/Ctn(pcs)	CTN Measurement(cm)	CTN CBM	Qty/20'GP	Qty/40'GP	Qty/40'HQ
4pcs/box	32	43.5*48.5*34	0.07	12800	26500	31000

Solar path light



Lumens



Waterproof



Full battery
up to 8-10 hours



2LED (WARM+RGB)
2modes



Model

XLTD-967

Solar panels

Polycrystal

Battery

1*1.2V AA NI-MH 1000mAh battery

Material

Plastic



Individual Packing	Qty/Ctn(pcs)	CTN Measurement(cm)	CTN CBM	Qty/20'GP	Qty/40'GP	Qty/40'HQ
6pcs/box	72	59.8x51x45	0.14	14400	29808	34920



Solar path light



Lumens



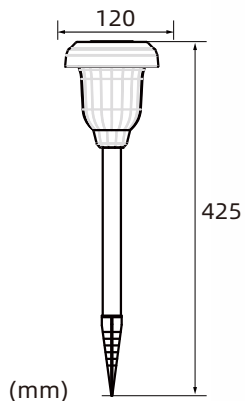
Waterproof



Full battery
up to 8-10 hours



1*Cool /
Warm White LED



Model

XLTD-944

Solar panels

Polycrystal

Battery

1*1.2V AA Ni-MH 600mAh battery

Material

Glass+Stainless steel+Plastic

Individual Packing	Qty/Ctn(pcs)	CTN Measurement(cm)	CTN CBM	Qty/20'GP	Qty/40'GP	Qty/40'HQ
4pcs/box	32	52.5x46.5x34.5	0.084	7992	22080	25888

Solar path light



Lumens



Waterproof



Full battery
up to 8-10 hours



1*Cool /
Warm White LED



Model

XLTD-300-1

Solar panels

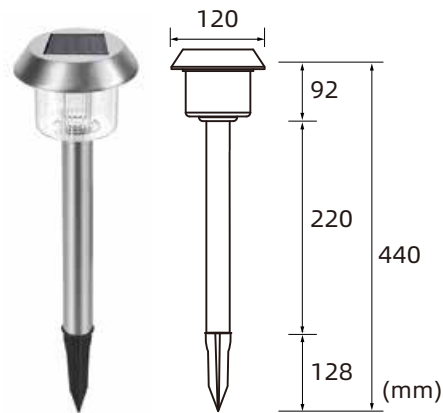
Polycrystal

Battery

1*1.2V AA Ni-MH 600mAh battery

Material

Plastic



Individual Packing	Qty/Ctn(pcs)	CTN Measurement(cm)	CTN CBM	Qty/20'GP	Qty/40'GP	Qty/40'HQ
6pcs/box	36	50.3*38.8*38.5	0.075	14256	24192	29808



Solar path light



Lumens



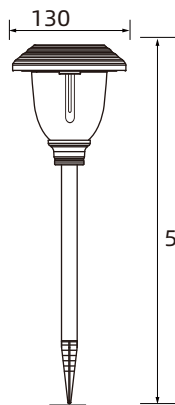
Waterproof



Full battery
up to 8-10hours



2 Lighting Modes
(OFF/LOW/HIGH)



Model

XLTD-952

Solar panels

Polycrystal

Battery

1*1.2V AA NI-MH 1000mAh battery

Material

Stainless steel+Glass

(mm)

Individual Packing	Qty/Ctn(pcs)	CTN Measurement(cm)	CTN CBM	Qty/20'GP	Qty/40'GP	Qty/40'HQ
6pcs/box	36	65*33.5*60.5	0.13	7740	16056	18828

Solar path light



Lumens



Waterproof



Full battery
up to 8-10 hours



1*Cool /
Warm White LED



Model

XLTD-1906

Solar panels

Polycrystal

Battery

1*1.2V AA Ni-MH 600mAh battery

Material

Glass+Stainless steel+Plastic



Individual Packing	Qty/Ctn(pcs)	CTN Measurement(cm)	CTN CBM	Qty/20'GP	Qty/40'GP	Qty/40'HQ
4pcs/box	32	54*54*40	0.12	7456	15456	18112



Solar path light



Lumens



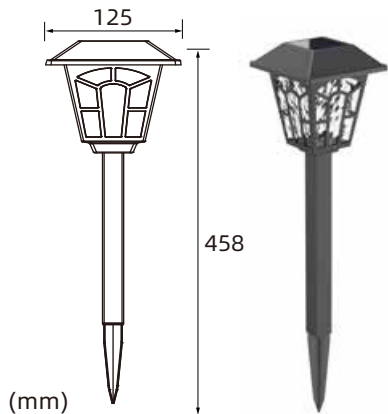
Waterproof



Full battery
up to 8 hours



1*Cool /
Warm White LED



Model

XLTD-2308

Solar panels

Polycrystal 2V100mA

Battery

1*1.2V AA Ni-MH 400mAh battery

Material

Plastic

Individual Packing	Qty/Ctn(pcs)	CTN Measurement(cm)	CTN CBM	Qty/20'GP	Qty/40'GP	Qty/40'HQ
2pcs/box	64	56*52*54	0.15	11904	24704	28992

Solar path light



Lumens



Waterproof



Full battery
up to 8-10 hours



1* Warm White LED



Model

XLTD-968

Solar panels

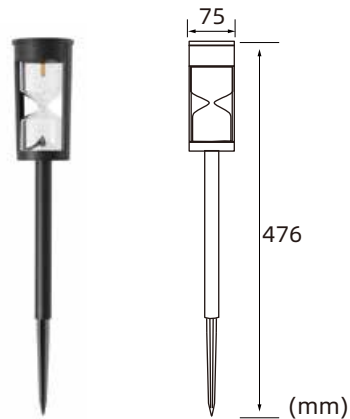
Polycrystal

Battery

1*1.2V AAA NI-MH 600mAh battery

Material

Plastic



Individual Packing	Qty/Ctn(pcs)	CTN Measurement(cm)	CTN CBM	Qty/20'GP	Qty/40'GP	Qty/40'HQ
4pcs/box	40	41*29.5*42	0.05	22400	46400	54400



Solar path light



Lumens



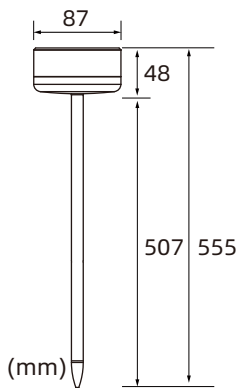
Waterproof



Full battery
up to 6-8 hours



7*Cool /
Warm White SMD



Model

XLTD-1514

Solar panels

Polycrystal

Battery

14500 3.2V/600mAh battery

Material

Stainless steel

Individual Packing	Qty/Ctn(pcs)	CTN Measurement(cm)	CTN CBM	Qty/20'GP	Qty/40'GP	Qty/40'HQ
2pcs/box	40	39x32x35	0.044	25440	52720	61800

Solar path light



Lumens



Waterproof



Full battery
up to 8-10 hours



1*Cool /
Warm White LED



Model

XLTD-1730

Solar panels

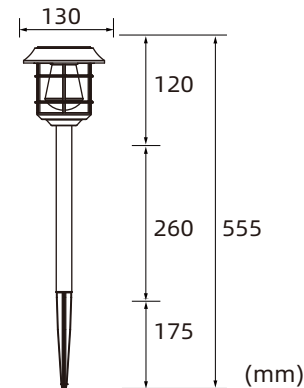
Polycrystal

Battery

1*1.2V AA Ni-MH 600mAh battery

Material


Plastic





Individual Packing	Qty/Ctn(pcs)	CTN Measurement(cm)	CTN CBM	Qty/20'GP	Qty/40'GP	Qty/40'HQ
6pcs/box	36	61.5*31.5*53.5	0.1	10080	20880	24480

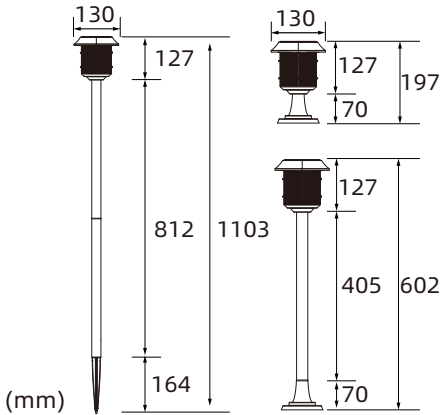


Solar flame light


Waterproof


Full battery up to 8-10hours


36*warm white SMD



Model
XLTD-1731

Solar panels
Polycrystal

Battery
1*1.2V AA Ni-MH 600mAh battery

Material
Plastic

Individual Packing	Qty/Ctn(pcs)	CTN Measurement(cm)	CTN CBM	Qty/20'GP	Qty/40'GP	Qty/40'HQ
4pcs/box	32	54.5*54.5*34	0.1	8960	18560	21760

Solar flame light



Waterproof



Full battery
up to 8-10 hours



96* Warm White
SMD



Model

XLTD-P5081

Solar panels

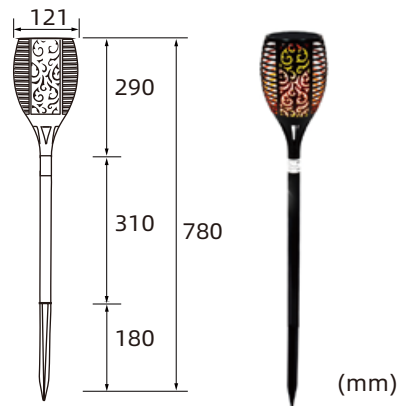
Polycrystal

Battery

1*3.7V 18650 Li-ion 1800mAh battery

Material

Plastic



Individual Packing	Qty/Ctn(pcs)	CTN Measurement(cm)	CTN CBM	Qty/20'GP	Qty/40'GP	Qty/40'HQ
1pc/box	30	66.5*39.5*69	0.18	4500	9600	11250



Solar flame light



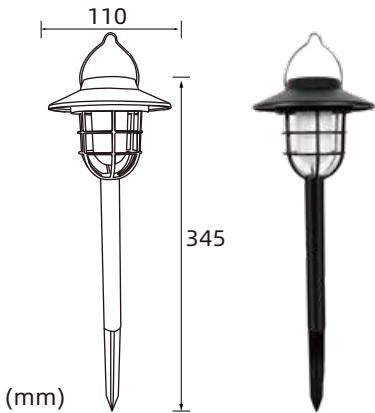
Waterproof



Full battery up to 6-8hours



12* Warm White LED



Model

XLTD-P2201

Solar panels

Amorphous

Battery

AAA 200mAh

Material

Plastic

Individual Packing	Qty/Ctn(pcs)	CTN Measurement(cm)	CTN CBM	Qty/20'GP	Qty/40'GP	Qty/40'HQ
2pcs/box	100	54*39.5*52	0.11	25400	52700	61800

Solar flame light



Waterproof



Full battery
up to 6-8hours



10* Warm
White LED



Model

XLTD-P2202

Solar panels

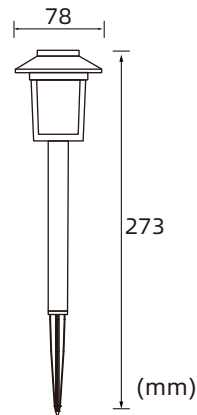
Amorphous

Battery

AAA NI-MH 600mAh

Material

Plastic



Individual Packing	Qty/Ctn(pcs)	CTN Measurement(cm)	CTN CBM	Qty/20'GP	Qty/40'GP	Qty/40'HQ
2pc/box	120	54.5*40*47.5	0.10	33600	69600	81600



Solar mosquito killer light



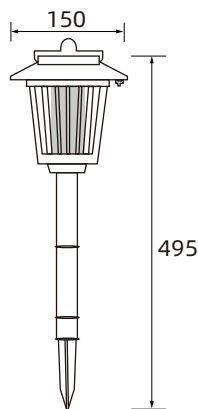
Waterproof



Full battery
up to 8-10 hours



1* White SMD
+ 2* Purple SMD



(mm)



Model

XLTD-101

Solar panels

Polycrystal

Battery

2*1.2V AA NI-MH 1000mAh battery

Material

Plastic

Individual Packing	Qty/Ctn(pcs)	CTN Measurement(cm)	CTN CBM	Qty/20'GP	Qty/40'GP	Qty/40'HQ
1pc/box	18	49.5*33.5*53.5	0.089	5652	11718	13752

Solar mosquito killer light



Waterproof



Full battery
up to 6-8 hours



1*white LED &
2*purple LED



Model

XLTD-102

Solar panels

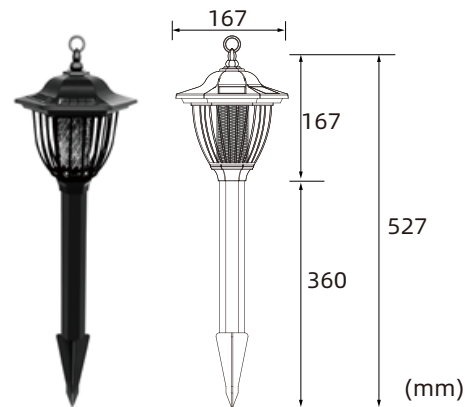
Polycrystal

Battery

1*1.2V AA Ni-MH 600mAh battery

Material

Plastic



Individual Packing	Qty/Ctn(pcs)	CTN Measurement(cm)	CTN CBM	Qty/20'GP	Qty/40'GP	Qty/40'HQ
1pc/box	24	52.5*45.5*62.5	0.149	4800	9888	10512



Solar path light



Lumens



Waterproof



Full battery
up to 8-10 hours



1*Cool /
Warm White LED

Model

XLTD-251

Solar panels

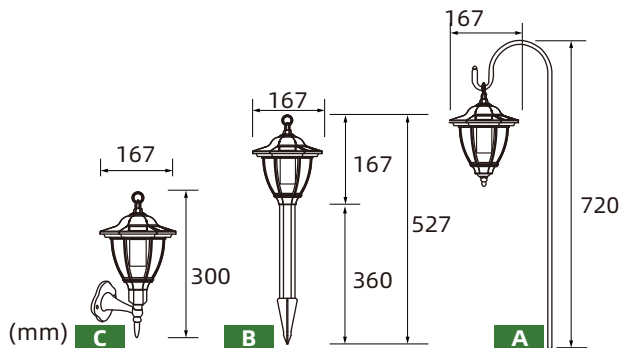
Polycrystal

Battery

1*1.2V AA Ni-MH 600mAh battery

Material

Plastic+PC+IRON



(mm)

Individual Packing	Qty/Ctn(pcs)	CTN Measurement(cm)	CTN CBM	Qty/20'GP	Qty/40'GP	Qty/40'HQ
2pcs/box	24	57.8*37.8*50	0.1	6720	13920	16320

Solar path light



Lumens



Waterproof



Full battery
up to 6-8 hours



1*White
light LED



Model

XLTD-P2204

Solar panels

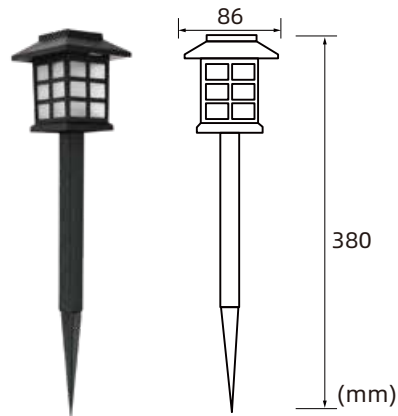
Amorphous

Battery

1.2V Ni-MH 100mAh

Material

Plastic



Individual Packing	Qty/Ctn(pcs)	CTN Measurement(cm)	CTN CBM	Qty/20'GP	Qty/40'GP	Qty/40'HQ
6pcs/box	120	54*39*51	0.11	30546	63273	74182



Solar path light



Lumens



Waterproof



Full battery
up to 6-8 hours



1*Cool/Warm
white LED



(mm)

Model

XLTD-P2205

Solar panels

Amorphous

Battery

1.2V Ni-MH 150mAh

Material

Plastic

Individual Packing	Qty/Ctn(pcs)	CTN Measurement(cm)	CTN CBM	Qty/20'GP	Qty/40'GP	Qty/40'HQ
2pcs/box	100	54*42.5*67	0.154	18182	37663	44156

Solar path light



Lumens



Waterproof



Full battery
up to 10 hours



1*Cool /
Warm White LED



Model

XLTD-940

Solar panels

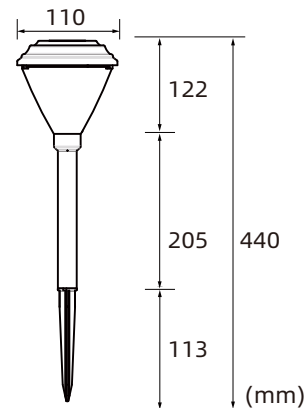
Amorphous

Battery

1*1.2V 2/3 AA Ni-MH 150mAh battery

Material

Plastic



Individual Packing	Qty/Ctn(pcs)	CTN Measurement(cm)	CTN CBM	Qty/20'GP	Qty/40'GP	Qty/40'HQ
4pcs/box	48	46.8*43*39.5	0.08	16800	34800	40800



Solar path light



Lumens



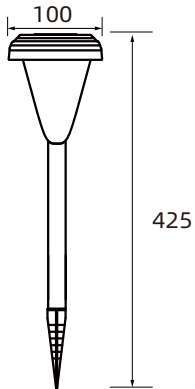
Waterproof



Full battery
up to 8-10 hours



1*Cool /
Warm White LED



(mm)



Model

XLTD-942

Solar panels

Polycrystal

Battery

1*1.2V AA Ni-MH 800mAh battery

Material

Stainless steel + Glass+Plastic

Individual Packing	Qty/Ctn(pcs)	CTN Measurement(cm)	CTN CBM	Qty/20'GP	Qty/40'GP	Qty/40'HQ
4pcs/box	48	43.5*43.5*48.5	0.092	14592	30240	35472

Solar path light



Lumens



Waterproof



Full battery
up to 8-10 hours



1*Cool /
Warm White LED



Model

XLTD-943

Solar panels

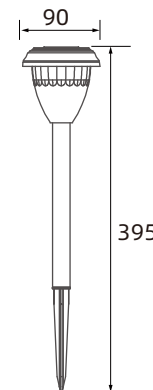
Amorphous

Battery

1*1.2V AAA Ni-MH 300mAh battery

Material

Plastic



(mm)

Individual Packing	Qty/Ctn(pcs)	CTN Measurement(cm)	CTN CBM	Qty/20'GP	Qty/40'GP	Qty/40'HQ
6pcs/box	108	59*48*38	0.1	30240	62640	73440



Solar path light



Lumens



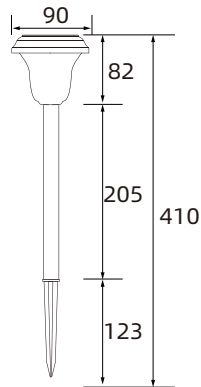
Waterproof



Full battery
up to 8-10 hours



1*Cool /
Warm White LED



(mm)

Model

XLTD-945

Solar panels

Amorphous

Battery

1*1.2V AAA Ni-MH 300mAh battery

Material

Plastic

Individual Packing	Qty/Ctn(pcs)	CTN Measurement(cm)	CTN CBM	Qty/20'GP	Qty/40'GP	Qty/40'HQ
8pcs/box	128	44*40*50	0.088	40704	84352	98816

Solar path light



Lumens



Waterproof



Full battery
up to 8-10 hours



1*Cool /
Warm White LED



Model

XLTD-2302

Solar panels

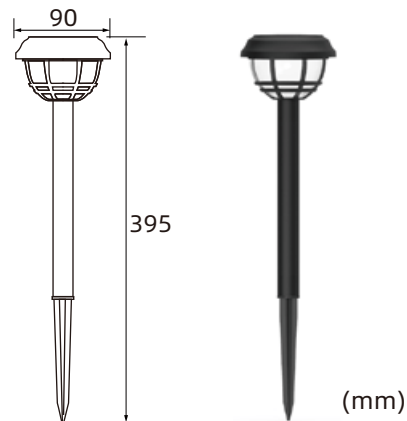
Amorphous

Battery

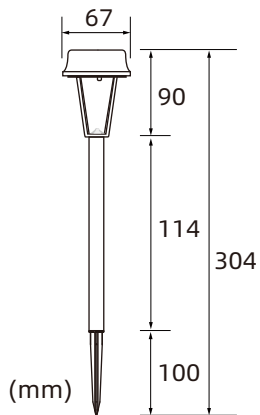
1*1.2V AAA Ni-MH 300mAh battery

Material

Plastic



Individual Packing	Qty/Ctn(pcs)	CTN Measurement(cm)	CTN CBM	Qty/20'GP	Qty/40'GP	Qty/40'HQ
6pcs/box	144	50*47*48	0.11	36576	75888	88992



Model

XLTD-938

Solar panels

Amorphous

Battery

1*2/3AA 150mAh battery

Material

Plastic

Mini solar landscape lights



Lumens



Waterproof



Full battery
up to 8-10 hours



1*Cool /
Warm White LED

Individual Packing	Qty/Ctn(pcs)	CTN Measurement(cm)	CTN CBM	Qty/20'GP	Qty/40'GP	Qty/40'HQ
12pcs/box	144	68*47*23	0.074	54432	112752	132192

Mini solar landscape lights



Lumens



Waterproof



Full battery
up to 8-10 hours



1*Cool /
Warm White LED



Model

XLTD-939

Solar panels

Amorphous

Battery

1*2/3AA 150mAh battery

Material

Plastic



Individual Packing	Qty/Ctn(pcs)	CTN Measurement(cm)	CTN CBM	Qty/20'GP	Qty/40'GP	Qty/40'HQ
12pcs/box	144	68*47*23	0.074	54432	112752	132192



Model

XLTD-2203

Solar panels

Amorphous

Battery

1.2V AAA 300mAh

Material

Plastic

Solar path light



Lumens



Waterproof



Full battery
up to 6-8 hours



1*Cool /
Warm White LED

Individual Packing	Qty/Ctn(pcs)	CTN Measurement(cm)	CTN CBM	Qty/20'GP	Qty/40'GP	Qty/40'HQ
1 pcs/box	50	48.5*44.5*44.5	0.096	14584	30209	35417

Solar path light



Lumens



Waterproof



Full battery
up to 6-8 hours



1* Cool /
Warm White LED



Model

XLTD-2301

Solar panels

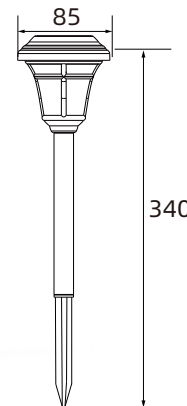
Amorphous

Battery

1*1.2v AAA Ni-MH 100mAh battery

Material

Plastic



(mm)

Individual Packing	Qty/Ctn(pcs)	CTN Measurement(cm)	CTN CBM	Qty/20'GP	Qty/40'GP	Qty/40'HQ
12pcs/box	144	55.5*43.5*42.5	0.1	40320	81200	97920



Solar path light



Lumens



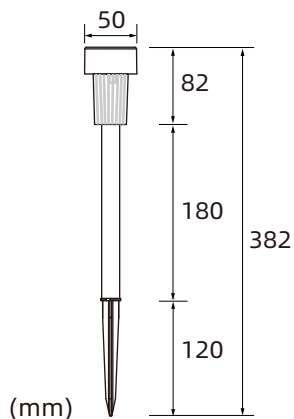
Waterproof



Full battery
up to 8-10 hours



1*Cool /
Warm White LED



Model

XLTD-936-2

Solar panels

Amorphous

Battery

1*2/3AA 150mAh battery

Material

Stainless steel+Plastic

Individual Packing	Qty/Ctn(pcs)	CTN Measurement(cm)	CTN CBM	Qty/20'GP	Qty/40'GP	Qty/40'HQ
12pcs/box	144	68*47*23	0.074	54432	112752	132192

Solar path light



Lumens



Waterproof



Full battery
up to 8-10 hours



1*Cool /
Warm White LED



Model

XLTD-962

Solar panels

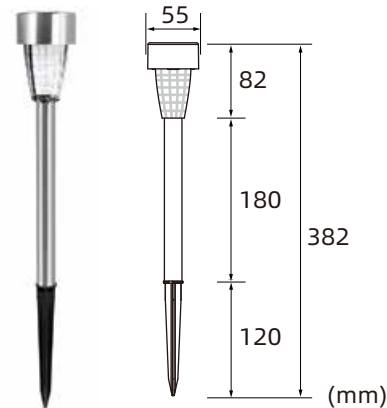
Amorphous

Battery

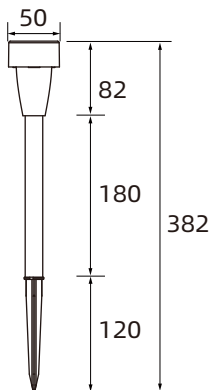
1*2/3AA 150mAh battery

Material

Stainless steel+Plastic



Individual Packing	Qty/Ctn(pcs)	CTN Measurement(cm)	CTN CBM	Qty/20'GP	Qty/40'GP	Qty/40'HQ
12pcs/box	144	68*47*23	0.074	54432	112752	132192



Model

XLTD-937

Solar panels

Amorphous

Battery

1*2/3AA 150mAh battery

Material

Stainless steel+Plastic

Solar path light



Lumens



Waterproof



Full battery
up to 8-10 hours



1*Cool /
Warm White LED

(mm)

Individual Packing	Qty/Ctn(pcs)	CTN Measurement(cm)	CTN CBM	Qty/20'GP	Qty/40'GP	Qty/40'HQ
12pcs/box	144	68*47*23	0.074	54432	112752	132192

Solar path light



Lumens



Waterproof



Full battery
up to 6-8 hours



1* Cool /
Warm White/RGB LED



Model

XLTD-1505

Solar panels

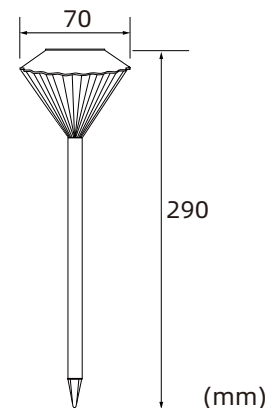
Amorphous

Battery

1*NI-MH 80mAh button cell

Material

Plastic



Individual Packing	Qty/Ctn(pcs)	CTN Measurement(cm)	CTN CBM	Qty/20'GP	Qty/40'GP	Qty/40'HQ
6pcs/box	24	47x31.5x32	0.047	14280	29616	34704



Solar bollard light



Lumens



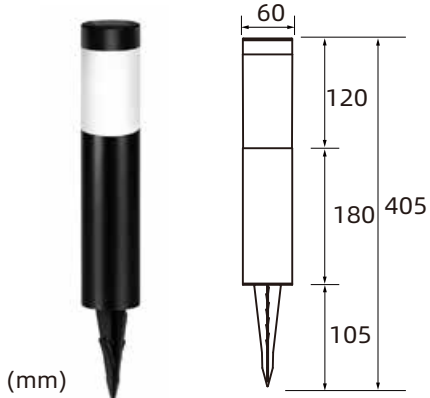
Waterproof



Full battery
up to 8-10 hours



1*Cool /
Warm White LED



Model

XLTD-262

Solar panels

Polycrystal

Battery

1*1.2V AAA Ni-MH 600mAh battery

Material

Stainless steel+Plastic

Individual Packing	Qty/Ctn(pcs)	CTN Measurement(cm)	CTN CBM	Qty/20'GP	Qty/40'GP	Qty/40'HQ
2pcs/box	48	54*38*32.5	0.07	19200	39744	46608

Solar bollard light



Lumens



Waterproof



Full battery
up to 8-10 hours



3*Cool /
Warm White LED



Model

XLTD-263

Solar panels

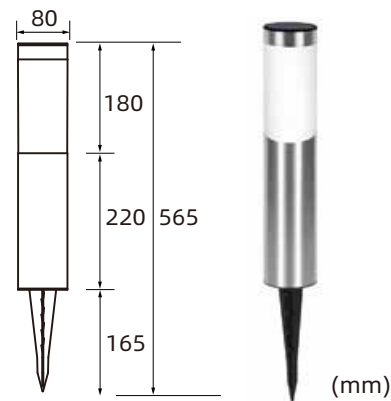
Polycrystal

Battery

1*1.2V AA Ni-MH 1000mAh battery

Material

Stainless steel+Plastic



Individual Packing	Qty/Ctn(pcs)	CTN Measurement(cm)	CTN CBM	Qty/20'GP	Qty/40'GP	Qty/40'HQ
2pcs/box	16	36.5x34x44	0.054	8142	16872	19780



Solar bollard light



Lumens



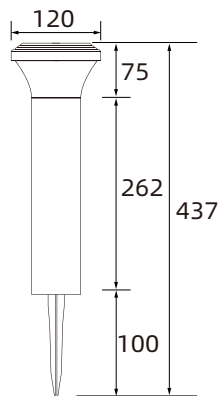
Waterproof



Full battery
up to 8-10 hours



2*LED



(mm)



Model

XLTD-2306

Solar panels

Monocrystal

Battery

1*3.7V AA 14500 1000mAh battery

Material

Plastic

Individual Packing	Qty/Ctn(pcs)	CTN Measurement(cm)	CTN CBM	Qty/20'GP	Qty/40'GP	Qty/40'HQ
4pcs/box	48	57.5*54.5*56	0.175	7680	15888	18624

Solar spot light



Lumens



Waterproof



Full battery
up to 8-10 hours



4LED/7LED/Warm
White/RGB LED



Model

XLTD-6003

Solar panels

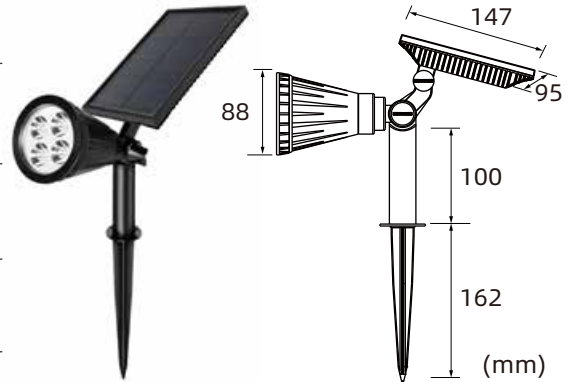
Polycrystal

Battery

1*3.7V 1800mAh battery

Material

Plastic



Individual Packing	Qty/Ctn(pcs)	CTN Measurement(cm)	CTN CBM	Qty/20'GP	Qty/40'GP	Qty/40'HQ
1pc/box	16	47.5*42.5*42.5	0.086	5200	10784	12640



Solar spot light



Lumens



Waterproof



Full battery
up to 8-12 hours



2*LED Warm
White/RGB LED



(mm)

Model

XLTD-P6004

Solar panels

Polycrystal

Battery

1*3.7V 1200mAh battery

Material

Plastic

Individual Packing	Qty/Ctn(pcs)	CTN Measurement(cm)	CTN CBM	Qty/20'GP	Qty/40'GP	Qty/40'HQ
1pc/box	50	53*43.5*42	0.097	14400	29850	35050

Solar ground light



Lumens



Waterproof



Full battery
up to 8-10 hours



8*Cool /
Warm White LED

Model

XLTD-1910

Solar panels

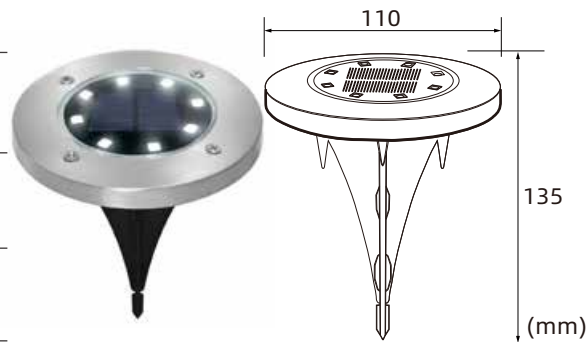
Polycrystal

Battery

1*1.2V AA Ni-MH 600mAh battery

Material

Stainless steel+Plastic



Individual Packing	Qty/Ctn(pcs)	CTN Measurement(cm)	CTN CBM	Qty/20'GP	Qty/40'GP	Qty/40'HQ
8pcs/box	48	28*27.5*41	0.032	42000	86976	102000



Solar road stud light



Lumens



Waterproof



Full battery
up to 8-10 hours



6* Cool / Warm White
/RGB LED

Model

XLTD-1515

Solar panels

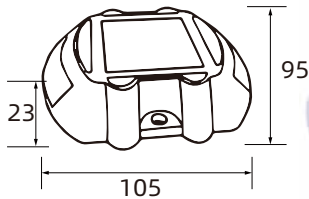
Polycrystal

Battery

1*1.2V AA Ni-MH 700mAh battery

Material

Aluminum



(mm)

Individual Packing	Qty/Ctn(pcs)	CTN Measurement(cm)	CTN CBM	Qty/20'GP	Qty/40'GP	Qty/40'HQ
1pc/box	32	23.5*23.5*26	0.014	64000	132544	155424

Solar wall light



Lumens



Waterproof



Full battery
up to 8-12 hours



34*Cool /
Warm White LED



Model

XLTD-P5038

Solar panels

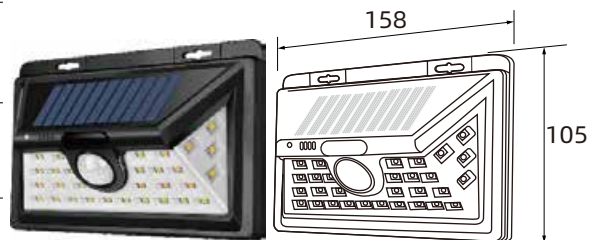
Polycrystal

Battery

1*3.7V AA 2200mAh battery

Material

Plastic



(mm)

Individual Packing	Qty/Ctn(pcs)	CTN Measurement(cm)	CTN CBM	Qty/20'GP	Qty/40'GP	Qty/40'HQ
1pc/box	60	57*34.5*35.5	0.07	24000	49680	58260



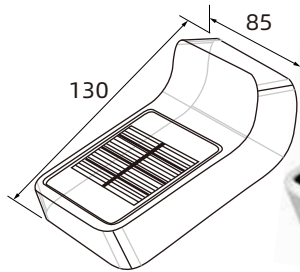
Solar wall lights


Lumens


Waterproof


Full battery up to 8-10 hours


4*Cool / Warm White LED



(mm)



Model

XLTD-1501

Solar panels

Polycrystal

Battery

1*1.2V AA Ni-MH 600mAh battery

Material

Plastic

Individual Packing	Qty/Ctn(pcs)	CTN Measurement(cm)	CTN CBM	Qty/20'GP	Qty/40'GP	Qty/40'HQ
1pc/box	72	43.5*37.5*38	0.06	33552	69552	81576

Solar wall lights



Lumens



Waterproof



Full battery
up to 8-12 hours



20* Cool /
Warm White LED



Model

XLTD-1607S

Solar panels

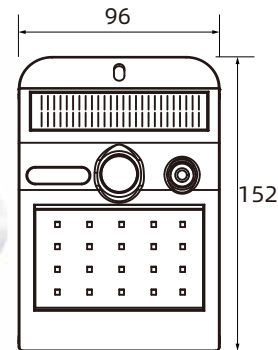
Polycrystal

Battery

1*3.7v AA 1500mAh battery

Material

Plastic



(mm)

Individual Packing	Qty/Ctn(pcs)	CTN Measurement(cm)	CTN CBM	Qty/20'GP	Qty/40'GP	Qty/40'HQ
1pc/box	24	35.5*31.5*42.5	0.048	13992	28992	33264



Solar wall lights



Lumens



Waterproof



Full battery
up to 6-8 hours



2*White LED



(mm)



Model

XLTD-910-1

Solar panels

Amorphous

Battery

1*1.2V AA Ni-MH 600mAh battery

Material

Stainless steel construction

Individual Packing	Qty/Ctn(pcs)	CTN Measurement(cm)	CTN CBM	Qty/20'GP	Qty/40'GP	Qty/40'HQ
1pc/box	28	42.5*36.5*63.5	0.1	7560	15120	18144

Solar wall lights



Lumens



Waterproof



Full battery up to 6-8 hours



2*White LED
ft8mm



Model

XLTD-910S

Solar panels

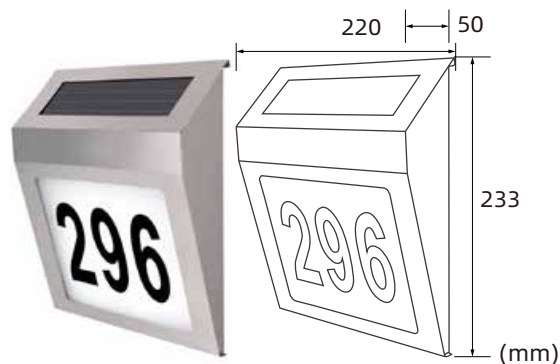
Monocrystal

Battery

1*1.2V AA Ni-MH 700mAh battery

Material

Stainless steel construction



Individual Packing	Qty/Ctn(pcs)	CTN Measurement(cm)	CTN CBM	Qty/20'GP	Qty/40'GP	Qty/40'HQ
1pc/box	16	46.5*25.5*50	0.06	7360	14720	18400



Solar wall lights


Lumens


Waterproof


Full battery up to 8 hours


6/10 brighter LED

Model

XLTD-911

Solar panels

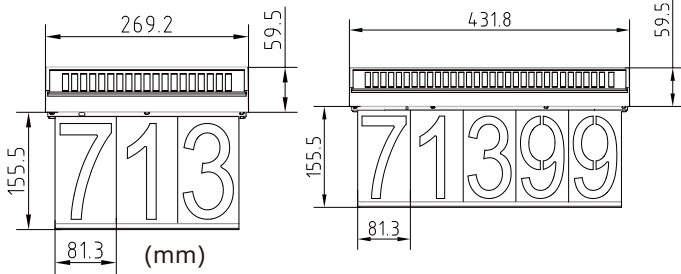
Monocrystalline

Battery

1*3.7V 1200/2200mAh battery

Material

Aluminum



Individual Packing	Qty/Ctn(pcs)	CTN Measurement(cm)	CTN CBM	Qty/20'GP	Qty/40'GP	Qty/40'HQ
1pc/box	30	44*32*35	0.05	16800	34800	40800

Solar stick lights



Lumens



Waterproof



Full battery
up to 8-10 hours



1* Cool /
Warm White/RGB LED



Model

XLTD-P722S

Solar panels

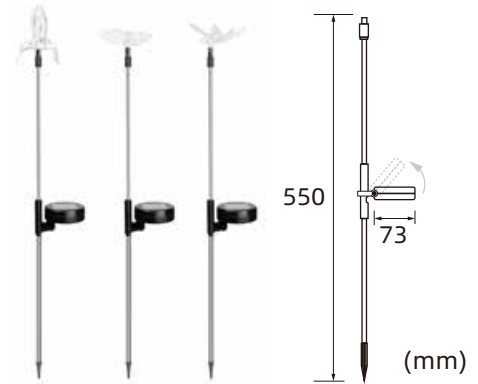
Amorphous

Battery

1*1.2V AA Ni-MH 600mAh battery

Material

Stainless steel + Plastic



Individual Packing	Qty/Ctn(pcs)	CTN Measurement(cm)	CTN CBM	Qty/20'GP	Qty/40'GP	Qty/HQ
1pc/box	25	44.5*44.5*37	0.073	9575	19850	23275



Solar stick lights



Lumens



Waterproof



Full battery
up to 8-10 hours



4* Cool /
Warm White/RGB LED

Model

XLTD-723A

Solar panels

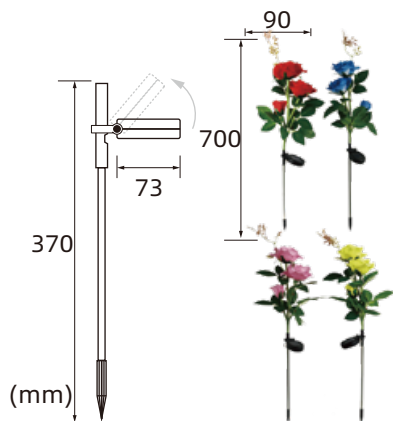
Polycrystal

Battery

1*1.2V AA Ni-MH 600mAh battery

Material

Plastic



Individual Packing	Qty/Ctn(pcs)	CTN Measurement(cm)	CTN CBM	Qty/20'GP	Qty/40'GP	Qty/40'HQ
2pcs/box	24	38.5*35.5*47	0.064	10488	21744	25488

Solar stick lights



Lumens



Waterproof



Full battery
up to 8-10 hours



120* Cool /
Warm White LED



Model

XLTD-P729

Solar panels

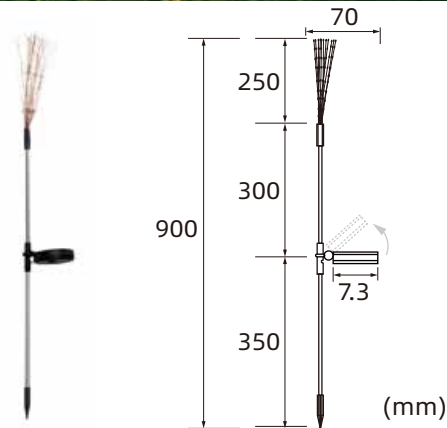
Polycrystal

Battery

1*1.2V AA NI-MH 600mAh battery

Material

Stainless steel+Plastic



Individual Packing	Qty/Ctn(pcs)	CTN Measurement(cm)	CTN CBM	Qty/20'GP	Qty/40'GP	Qty/40'HQ
2pcs/box	80	58*36*37	0.077	22400	46400	54400



Solar stick lights



Lumens



Waterproof



Full battery
up to 8-10 hours



6*Cool /
Warm White LED

Model

XLTD-P730

Solar panels

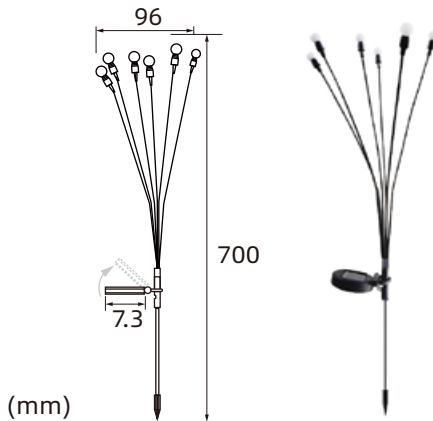
Polycrystal

Battery

1*1.2V AA Ni-MH 600mAh battery

Material

Stainless steel+Plastic



(mm)

Individual Packing	Qty/Ctn(pcs)	CTN Measurement(cm)	CTN CBM	Qty/20'GP	Qty/40'GP	Qty/HQ
4pcs/box	100	52*42*47	0.1	28000	58000	68000

Solar stick lights



Lumens



Waterproof



Full battery
up to 8-10 hours



4* Cool /
Warm White/RGB LED



Model

XLTD-P723F

Solar panels

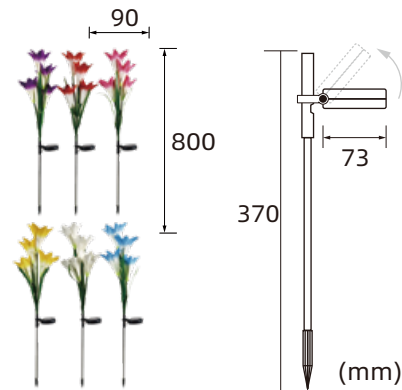
Polycrystal

Battery

1*1.2V AA Ni-MH 600mAh battery

Material

Plastic



Individual Packing	Qty/Ctn(pcs)	CTN Measurement(cm)	CTN CBM	Qty/20'GP	Qty/40'GP	Qty/40'HQ
2pcs/box	24	38.5*35.5*47	0.064	10488	21744	25488



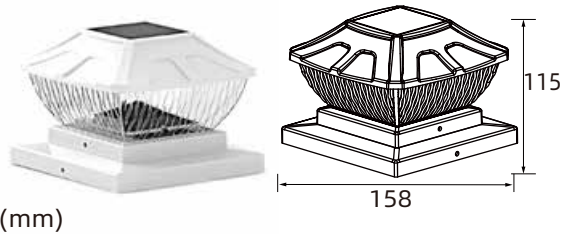
3.5" X3.5"	5" X5"	6" X6"
4" X4"	5.5" X5.5"	Unit: Inch

Model
XLTD-5090

Solar panels
Polycrystal

Battery
1*1.2V AA NI-MH 1000mAh battery

Material
Plastic



(mm)

Solar post light



Lumens



Waterproof



Full battery
up to 8-10 hours



8LED (4 Warm led+
4 Cold led)

Individual Packing	Qty/Ctn(pcs)	CTN Measurement(cm)	CTN CBM	Qty/20'GP	Qty/40'GP	Qty/HQ
4pcs/box	24	46.5*32.5*53	0.08	8400	17400	20400

Solar post light



Lumens



Waterproof



Full battery
up to 8-10 hours



8LED (4 Warm LED
+4 Cold led)



Model

XLTD-5092

Solar panels

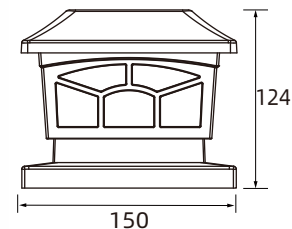
Polycrystal 2V 230mA

Battery

1*1.2V AA Ni-MH 600mAh battery

Material

Plastic



(mm)

Individual Packing	Qty/Ctn(pcs)	CTN Measurement(cm)	CTN CBM	Qty/20'GP	Qty/40'GP	Qty/HQ
2pcs/box	24	50*31*54	0.084	7992	16560	19416



Solar post light


Lumens


Waterproof


Full battery up to 8-10 hours


12*Cool / Warm White LED

Model

XLTD-5091

Solar panels

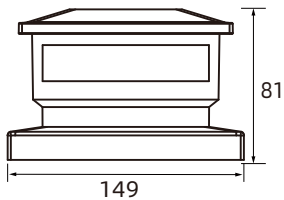
Polysilicon 2V 180mA

Battery

1*1.2V AA Ni-MH 800mAh battery

Material

Plastic



(mm)

Individual Packing	Qty/Ctn(pcs)	CTN Measurement(cm)	CTN CBM	Qty/20'GP	Qty/40'GP	Qty/HQ
2pcs/box	30	47.6*31.4*43	0.064	13110	27180	31860

Solar string lights



Lumens



Waterproof



Full battery
up to 8-10 hours



200* Cool /
Warm White/RGB LED

Model

XLTD-5040

Solar panels

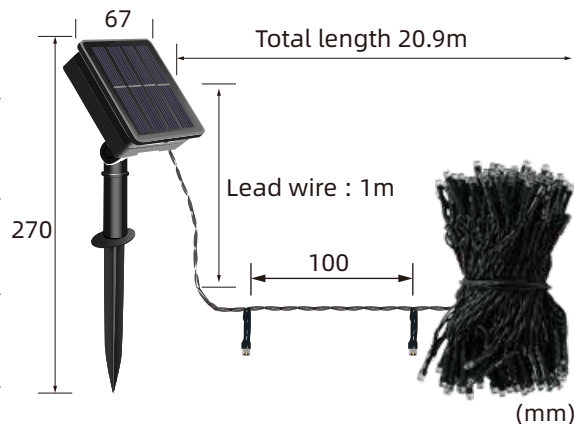
Polycrystal

Battery

1*1.2V AA Ni-MH 600mAh battery

Material

Plastic



Individual Packing	Qty/Ctn(pcs)	CTN Measurement(cm)	CTN CBM	Qty/20'GP	Qty/40'GP	Qty/40'HQ
1pc/box	30	49.5*37*36.5	0.067	12510	25950	30420



Solar string lights



Lumens



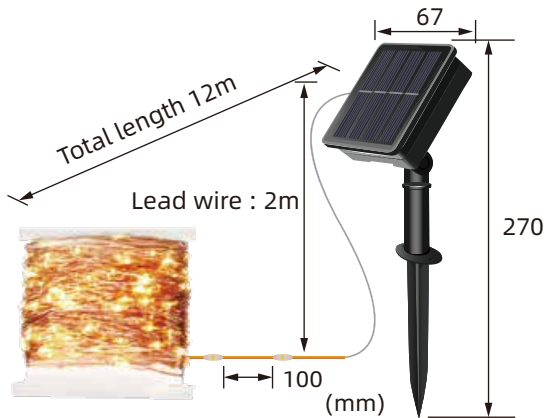
Waterproof



Full battery
up to 8-10 hours



100* Cool /
Warm White/RGB LED



Model

XLTD-P5041

Solar panels

Polycrystal

Battery

1*1.2V AA Ni-MH 600mAh battery

Material

Plastic

Individual Packing	Qty/Ctn(pcs)	CTN Measurement(cm)	CTN CBM	Qty/20'GP	Qty/40'GP	Qty/40'HQ
1pc/box	100	52.8*28.5*57.8	0.087	32100	66600	78100

Solar string lights



Lumens



Waterproof



Full battery
up to 8-10 hours



300* Cool /
Warm White/RGB LED



Model

XLTD-5043

Solar panels

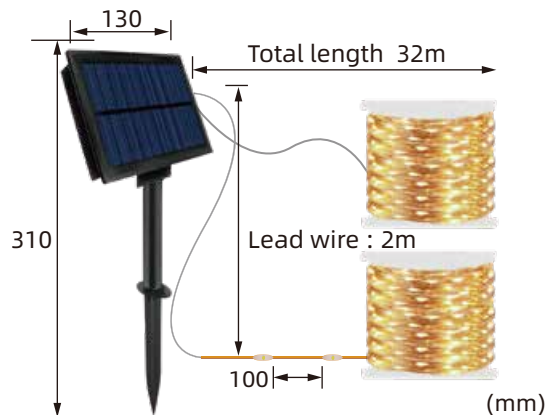
Polycrystal

Battery

1*3.7V AA 2200mAh battery

Material

Plastic



Individual Packing	Qty/Ctn(pcs)	CTN Measurement(cm)	CTN CBM	Qty/20'GP	Qty/40'GP	Qty/40'HQ
1pc/box	24	41*27.5*54	0.06	11184	78100	27192



Solar string lights



Lumens



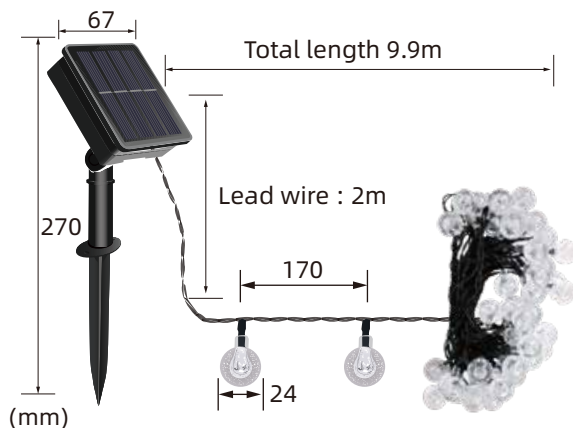
Waterproof



Full battery
up to 8-10 hours



50* Cool /
Warm White/RGB LED



Model

XLTD-6005

Solar panels

Polycrystal

Battery

1*1.2V AA Ni-MH 600mAh battery

Material

Plastic

Individual Packing	Qty/Ctn(pcs)	CTN Measurement(cm)	CTN CBM	Qty/20'GP	Qty/40'GP	Qty/40'HQ
1pc/box	30	49.5*37*36.5	0.067	12510	25950	30420

Solar string lights



Lumens



Waterproof



Full battery
up to 8-10 hours



50* Cool /Warm White
/RGB LED



Model

XLTD-P6007

Solar panels

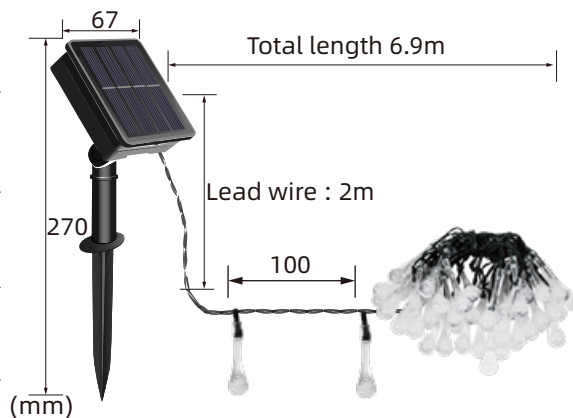
Polycrystal

Battery

1*1.2V AA Ni-MH 600mAh battery

Material

Plastic



Individual Packing	Qty/Ctn(pcs)	CTN Measurement(cm)	CTN CBM	Qty/20'GP	Qty/40'GP	Qty/40'HQ
1pc/box	30	49.5*37*36.5	0.067	12510	25950	30420



Solar string lights



Lumens



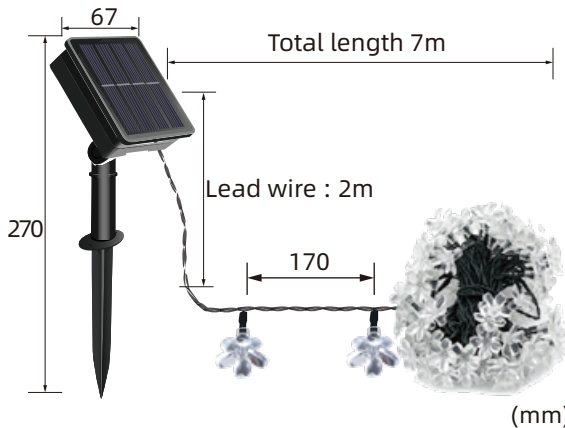
Waterproof



Full battery
up to 8-10 hours



50* Cool /
Warm White/RGB LED



Model
XLTD-7201

Solar panels
Polycrystal

Battery
1*1.2v AA Ni-MH 600mAh battery

Material
Plastic

Individual Packing	Qty/Ctn(pcs)	CTN Measurement(cm)	CTN CBM	Qty/20'GP	Qty/40'GP	Qty/40'HQ
1pc/box	50	47*34*42.5	0.068	20580	42600	50000

Solar string lights



Lumens



Waterproof



Full battery
up to 8-10 hours



20* Warm White
LED



Model

XLTD-7202

Solar panels

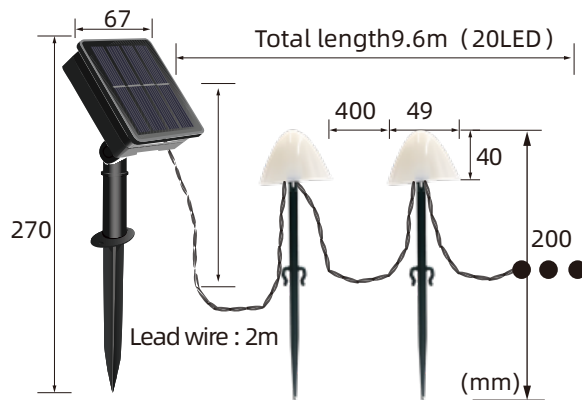
Polycrystal

Battery

1*1.2V AA Ni-MH 600mAh battery

Material

Plastic



Individual Packing	Qty/Ctn(pcs)	CTN Measurement(cm)	CTN CBM	Qty/20'GP	Qty/40'GP	Qty/40'HQ
1pc/box	27	48*45*46.5	0.100	7560	15660	18360



Solar string lights



Lumens



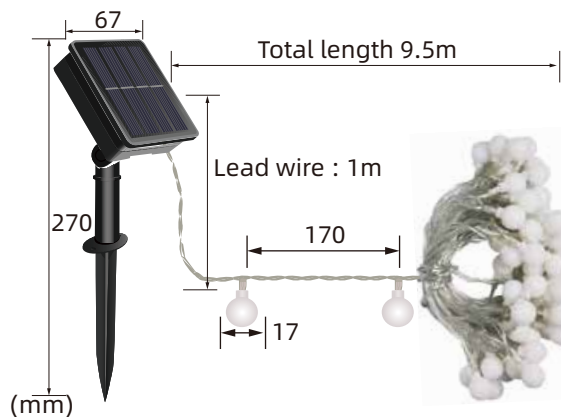
Waterproof



Full battery
up to 8-10 hours



50* Cool /
Warm White/RGB LED



Model

XLTD-7203

Solar panels

Polycrystal

Battery

1*1.2V AA Ni-MH 600mAh battery

Material

Plastic

Individual Packing	Qty/Ctn(pcs)	CTN Measurement(cm)	CTN CBM	Qty/20'GP	Qty/40'GP	Qty/40'HQ
1pc/box	60	49.5*47*42	0.098	17100	35460	41580

Solar string lights



Lumens



Waterproof



Full battery
up to 8-10 hours



120* Cool /
Warm White/RGB LED



Model

XLTD-7204

Solar panels

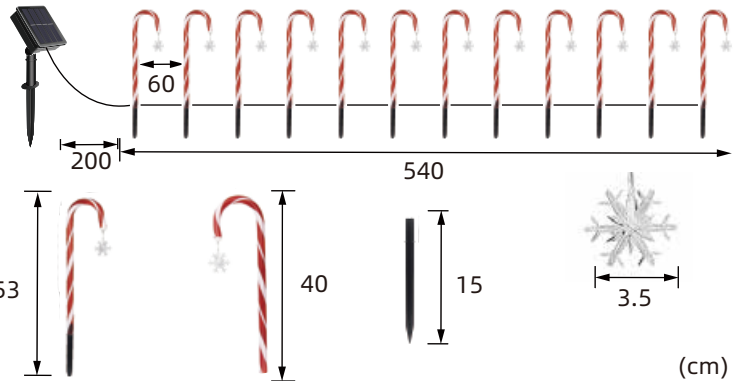
Polycrystal

Battery

1*1.2V AA Ni-MH 800mAh battery

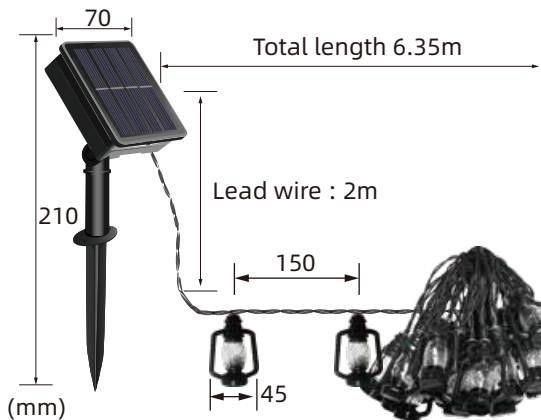
Material

Plastic



(cm)

Individual Packing	Qty/Ctn(pcs)	CTN Measurement(cm)	CTN CBM	Qty/20'GP	Qty/40'GP	Qty/40'HQ
1pc/box	12	61*53*48	0.16	2232	4632	5436



Model

XLTD-7205

Solar panels

Polycrystal

Battery

1*1.2V AA Ni-MH 600mAh battery

Material

Plastic

Solar string lights



Lumens



Waterproof



Full battery
up to 8-10 hours



30* Warm White
LED

Individual Packing	Qty/Ctn(pcs)	CTN Measurement(cm)	CTN CBM	Qty/20'GP	Qty/40'GP	Qty/40'HQ
1pc/box	48	48*48*57	0.131	10224	21216	24912

Solar string lights



Lumens



Waterproof



Full battery
up to 8-10 hours



20* Warm White
LED



Model

XLTD-7208

Solar panels

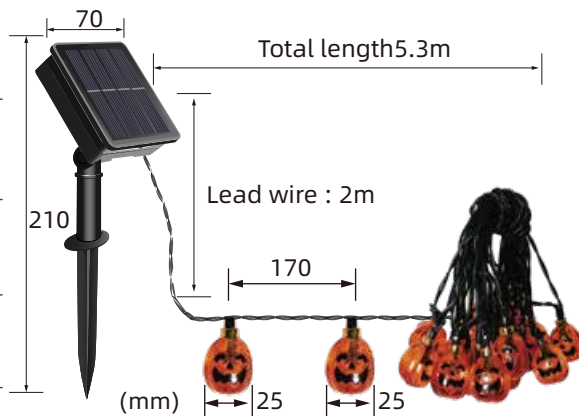
Polycrystal

Battery

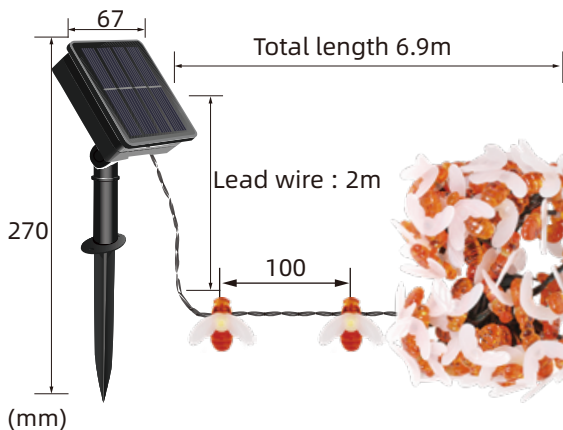
1*1.2V AA Ni-MH 600mAh battery

Material

Plastic



Individual Packing	Qty/Ctn(pcs)	CTN Measurement(cm)	CTN CBM	Qty/20'GP	Qty/40'GP	Qty/40'HQ
1pc/box	72	42.5*35*42	0.062	32472	67320	78912



Model
XLTD-1812

Solar panels
Polycrystal

Battery
1*1.2V AA Ni-MH 600mAh battery

Material
Plastic

Solar string lights



Lumens



Waterproof



Full battery
up to 8-10 hours



50* Cool /
Warm White / RGB LED

Individual Packing	Qty/Ctn(pcs)	CTN Measurement(cm)	CTN CBM	Qty/20'GP	Qty/40'GP	Qty/40'HQ
1pc/box	40	47.5*31.5*42.5	0.064	17480	36240	42480

Solar string lights



Lumens



Waterproof



Full battery
up to 8-10 hours



50* Cool /
Warm White/RGB LED

Model

XLTD-148

Solar panels

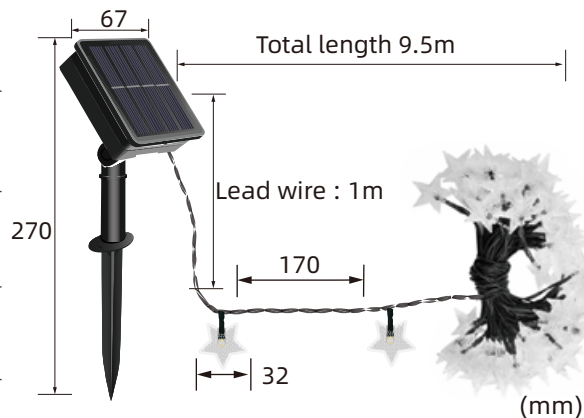
Polycrystal

Battery

1*1.2V AA Ni-MH 600mAh battery

Material

Plastic



Individual Packing	Qty/Ctn(pcs)	CTN Measurement(cm)	CTN CBM	Qty/20'GP	Qty/40'GP	Qty/40'HQ
1pc/box	40	46.5*35.5*48	0.079	14160	29360	34400



Solar string lights



Lumens



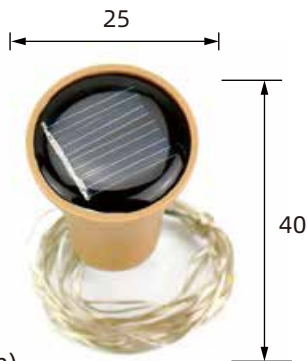
Waterproof



Full battery
up to 8-10 hours



10* Cool /
Warm White/RGB LED



(mm)

Model

XLTD-1723

Solar panels

Polycrystal

Battery

1*NI-MH 80mAh button cell

Material

Plastic

Individual Packing	Qty/Ctn(pcs)	CTN Measurement(cm)	CTN CBM	Qty/20'GP	Qty/40'GP	Qty/40'HQ
6pcs/box	720	37*31*35.5	0.04	504000	1044000	1224000

Solar hanging lantern balls



Lumens



Waterproof



Full battery
up to 8-10 hours



1* Cool /
Warm White/RGB LED



Model

XLTD-210

Solar panels

Amorphous 2v 40ma

Battery

1* 1.2V 2/3AA Ni-MH 100mAh battery

Material

Stainless steel+Glass+Plastic



Individual Packing	Qty/Ctn(pcs)	CTN Measurement(cm)	CTN CBM	Qty/20'GP	Qty/40'GP	Qty/40'HQ
1pc/box	96	47*32*42	0.063	42624	88320	103584



Solar mosaic jars



Lumens



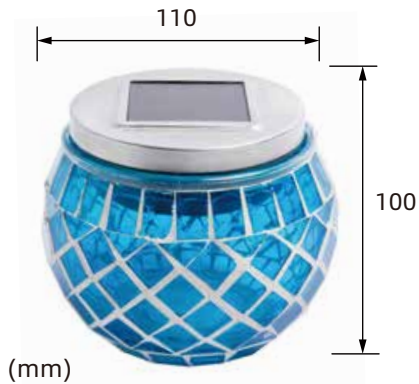
Waterproof



Full battery
up to 8 hours



1*Cool /
Warm White/RGB LED



Model

XLTD-514

Solar panels

Amorphous

Battery

1*AA 600mAh Ni-MH battery

Material

Stainless steel+Glass+Plastic

Individual Packing	Qty/Ctn(pcs)	CTN Measurement(cm)	CTN CBM	Qty/20'GP	Qty/40'GP	Qty/40'HQ
1pc/box	24	44*33.5*22.6	0.033	20352	42168	49440

Solar mosaic jars



Lumens



Waterproof



Full battery
up to 8-10 hours



10* Cool /
Warm White/RGB LED



Model

XLTD-P4045

Solar panels

Polycrystal

Battery

1*1.2V AAA Ni-MH 600mAh battery

Material

Stainless steel+Glass



Individual Packing	Qty/Ctn(pcs)	CTN Measurement(cm)	CTN CBM	Qty/20'GP	Qty/40'GP	Qty/40'HQ
1pc/box	36	43.5*33*43	0.062	16236	33660	39456



Solar crackle jar light



Lumens



Waterproof



Full battery
up to 8-10 hours



20*Cool /
Warm White/RGB LED



Model

XLTD-P4046

Solar panels

Polycrystal

Battery

1*1.2V AAA Ni-MH 600mAh battery

Material

Stainless steel+ Glass+Plastic

Individual Packing	Qty/Ctn(pcs)	CTN Measurement(cm)	CTN CBM	Qty/20'GP	Qty/40'GP	Qty/40'HQ
1pc/box	24	59*44*36	0.093	7224	14952	17544

Low voltage lights



Lumens



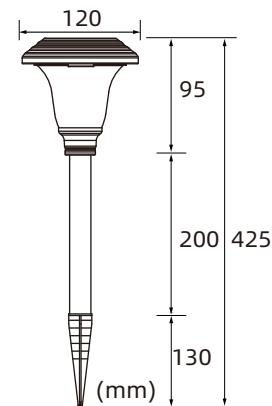
Waterproof



Input 110-240V
Output DC12V



4* Cold/
Warm white LED



Model

XLTD-1808-1 12V Pathway

Connecting cables

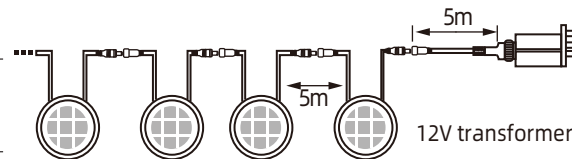
5m

Single cable

1.5m+3.5m cable per lamp

Material

Stainless steel+Glass+Plastic



Individual Packing	Qty/Ctn(pcs)	CTN Measurement(cm)	CTN CBM	Qty/20'GP	Qty/40'GP	Qty/40'HQ
1pc/box	8	54*54*40	0.12	7456	15456	18112



**Low
voltage lights**



Lumens



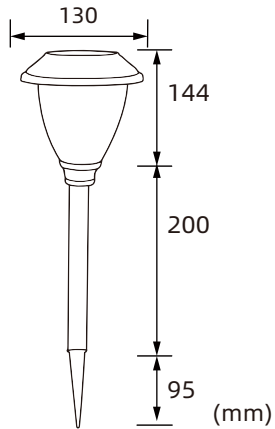
Waterproof



**Input 110-240V
Output DC12V**



**4* Cold/
Warm white LED**



Model

XLTD-1906-1 12V Pathway

Connecting cables

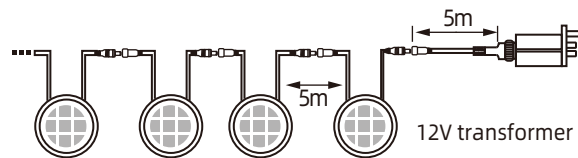
5m

Single cable

1.5m+3.5m cable per lamp

Material

Stainless steel+Glass+Plastic



Individual Packing	Qty/Ctn(pcs)	CTN Measurement(cm)	CTN CBM	Qty/20'GP	Qty/40'GP	Qty/40'HQ
1pc/box	8	54*54*40	0.12	7456	15456	18112

Low voltage lights



Lumens



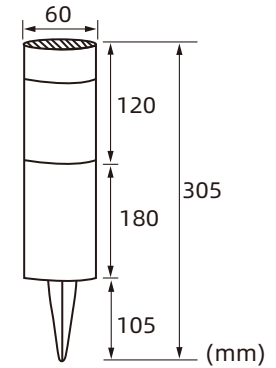
Waterproof



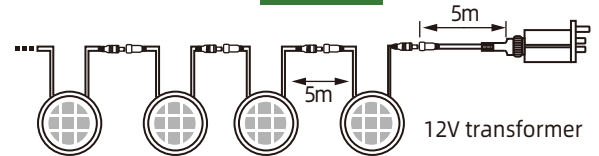
Input 110-240V
Output DC12V



12*Cool/
Warm white LED



3*LED



Model

XLTD-262-1 12V Pathway

Connecting cables

5m

Single cable

1.5m+3.5m cable per lamp

Material

Stainless steel+Plastic

Individual Packing

1pc/box

Qty/Ctn(pcs)

8

CTN Measurement(cm)

55.5*29.5*32

CTN CBM

0.052

Qty/20'GP

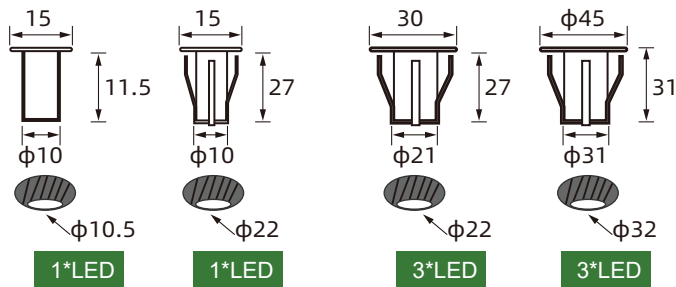
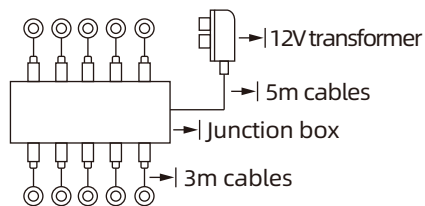
4304

Qty/40'GP

8920

Qty/40'HQ

10456



(mm)

Model

XLTD-800 15mm/30mm
/45mm round/square

Connecting cables

5m

Single cable

3m cable

Material

Brass/Stainless Steel+Plastic

Low Voltage Deck light



Lumens



Waterproof



Input 110-240V
Output DC12V



White LED

Individual Packing	Qty/Ctn(pcs)	CTN Measurement(cm)	CTN CBM	Qty/20'GP	Qty/40'GP	Qty/40'HQ
1pc/box	20	31.5*25.5*62	0.05	11200	23200	27200

Low Voltage Deck light



Lumens



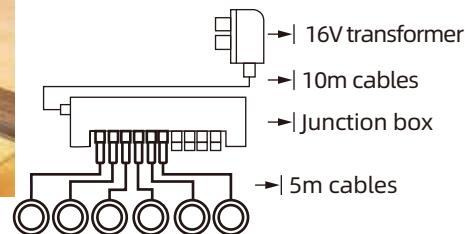
Waterproof



Input 110-240V
Output DC12V



3*White LED



Model

XLTD-815 15mm/30mm/
45mm round/square deck light

Connecting cables

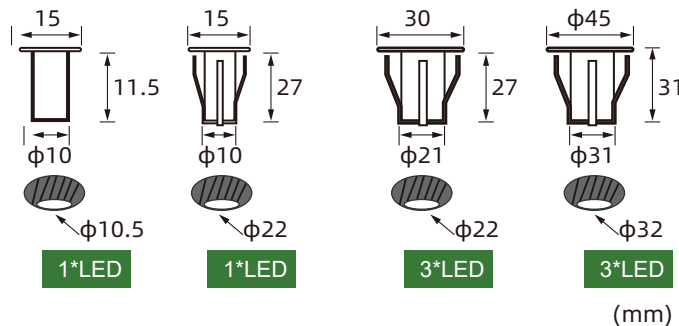
10m

Single cable

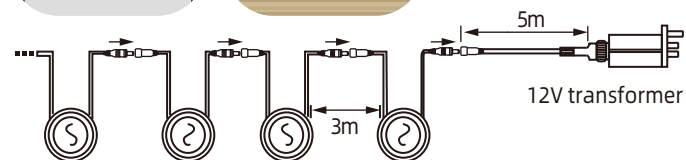
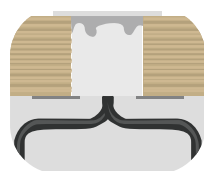
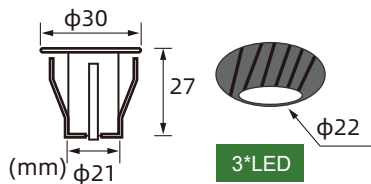
5m cable

Material

Brass/Stainless Steel+Plastic



Individual Packing	Qty/Ctn(pcs)	CTN Measurement(cm)	CTN CBM	Qty/20'GP	Qty/40'GP	Qty/40'HQ
1pc/box	20	31.5*25.5*62	0.05	11200	23200	27200



Low Voltage Deck light



Lumens



Waterproof



Input 110-240V
Output DC12V



4*White LED

Model

XLTD-832 30mm
round deck light

Connecting cables

5m

Single cable

3m cable

Material

Plastic+Stainless Steel

Individual Packing	Qty/Ctn(pcs)	CTN Measurement(cm)	CTN CBM	Qty/20'GP	Qty/40'GP	Qty/40'HQ
1pc/box	20	31.5*25.5*62	0.05	11200	23200	27200

Low Voltage Deck light



Lumens



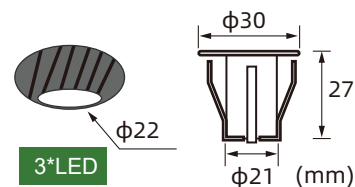
Waterproof



Input 110-240V
Output DC12V



4*White LED



Model

XLTD-832-1 30mm round deck light

Connecting cables

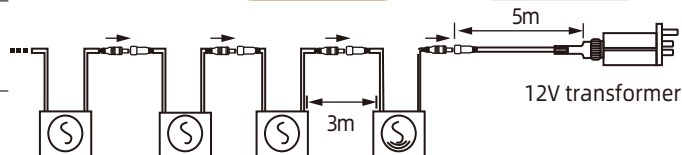
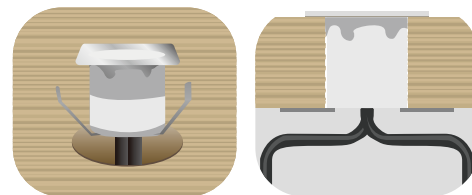
5m

Single cable

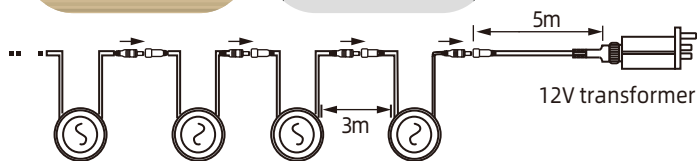
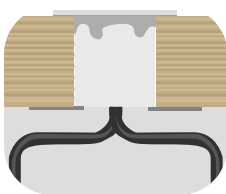
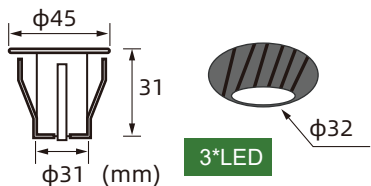
3m cable

Material

Plastic+Stainless Steel



Individual Packing	Qty/Ctn(pcs)	CTN Measurement(cm)	CTN CBM	Qty/20'GP	Qty/40'GP	Qty/40'HQ
1pc/box	20	31.5*25.5*62	0.05	11200	23200	27200



Low Voltage Deck light



Lumens



Waterproof



Input 110-240V
Output DC12V



4*White LED

Model

XLTD-845
45mm round deck light

Connecting cables

5m

Single cable

3m cable

Material

Plastic+Stainless Steel

Individual Packing	Qty/Ctn(pcs)	CTN Measurement(cm)	CTN CBM	Qty/20'GP	Qty/40'GP	Qty/40'HQ
1pc/box	20	31.5*25.5*62	0.05	11200	23200	27200

Low Voltage Deck light



Lumens



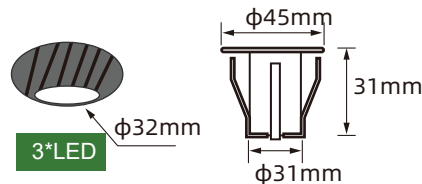
Waterproof



Input 110-240V
Output DC12V



Color remote control change



Model

XLTD-845R 32/45mm round deck light

Connecting cables

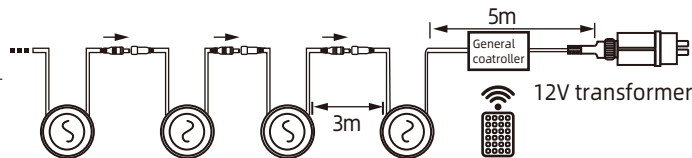
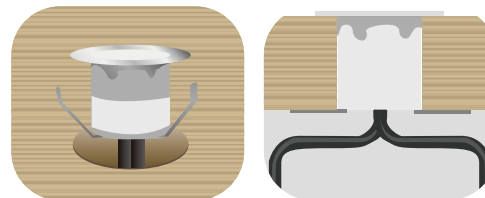
5m

Single cable

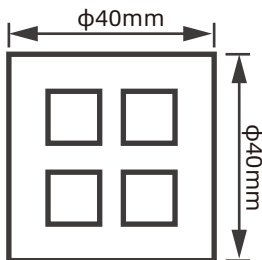
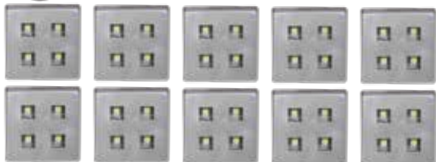
3m Cable

Material

Plastic+Stainless Steel



Individual Packing	Qty/Ctn(pcs)	CTN Measurement(cm)	CTN CBM	Qty/20'GP	Qty/40'GP	Qty/40'HQ
1pc/box	20	31.5*25.5*62	0.05	11200	23200	27200



Model

XLTD-601 40mm square

Connecting cables

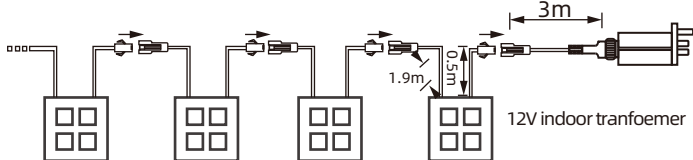
3m

Single cable

0.5m with female+1.9m with male

Material

plastic



Plinth light



Lumens



Waterproof



Input 110-240V
Output DC12V



4*White LED

Individual Packing	Qty/Ctn(pcs)	CTN Measurement(cm)	CTN CBM	Qty/20'GP	Qty/40'GP	Qty/40'HQ
1pc/box	20	31.5*25.5*62	0.05	11200	23200	27200

Plinth light



Lumens



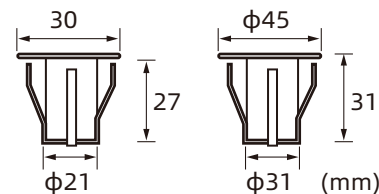
Waterproof



Input 110-240V
Output DC12V



White LED



Model

XLTD-801 32mm/45mm
/45mm round/square

Connecting cables

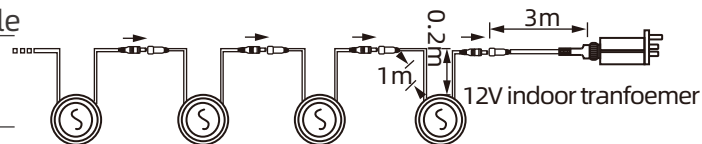
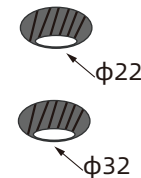
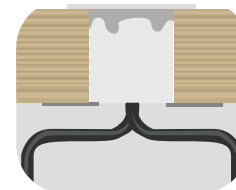
3m

Single cable

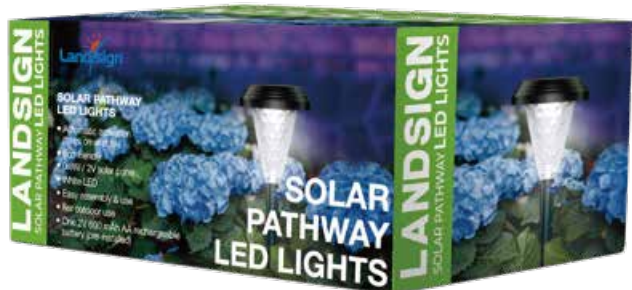
0.2m with female+1m with male

Material

Plastic+Stainless Steel



Individual Packing	Qty/Ctn(pcs)	CTN Measurement(cm)	CTN CBM	Qty/20'GP	Qty/40'GP	Qty/40'HQ
1pc/box	20	31.5*25.5*62	0.05	11200	23200	27200





NINGBO LANDSIGN ELECTRIC APPLIANCE CO.,LTD

ADD: NO.485,Xingci 5th Rd, Hangzhou Bay New Zone, Cixi, Ningbo, Zhejiang

Tel:+0086 0574-6350 2677

P.C: 315336